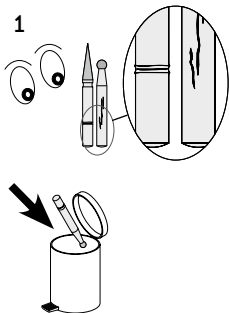


CE  
0297

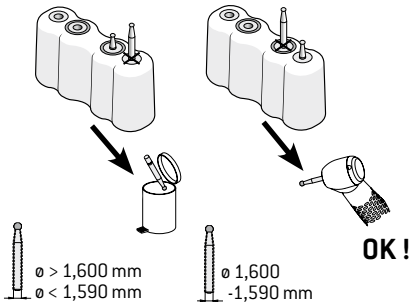
PEOPLE HAVE PRIORITY

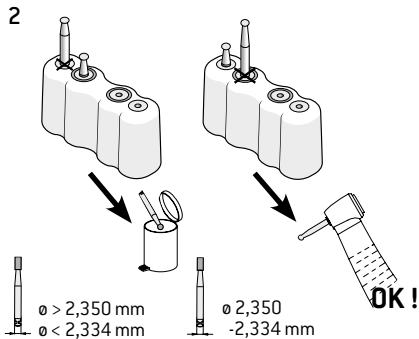
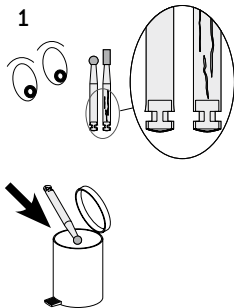


**Bur gauge**  
**REF 02139800**



2





**Manufacturer**

**W&H Dentalwerk Bürmoos GmbH**  
**Ignaz-Glaser-Straße 53, 5111 Bürmoos, Austria**

**t + 43 6274 6236-0, f + 43 6274 6236-55**  
**office@wh.com wh.com**

**Form-Nr. 50580 AMS**  
**Rev. 002 / 28.01.2014**  
**Subject to alterations**